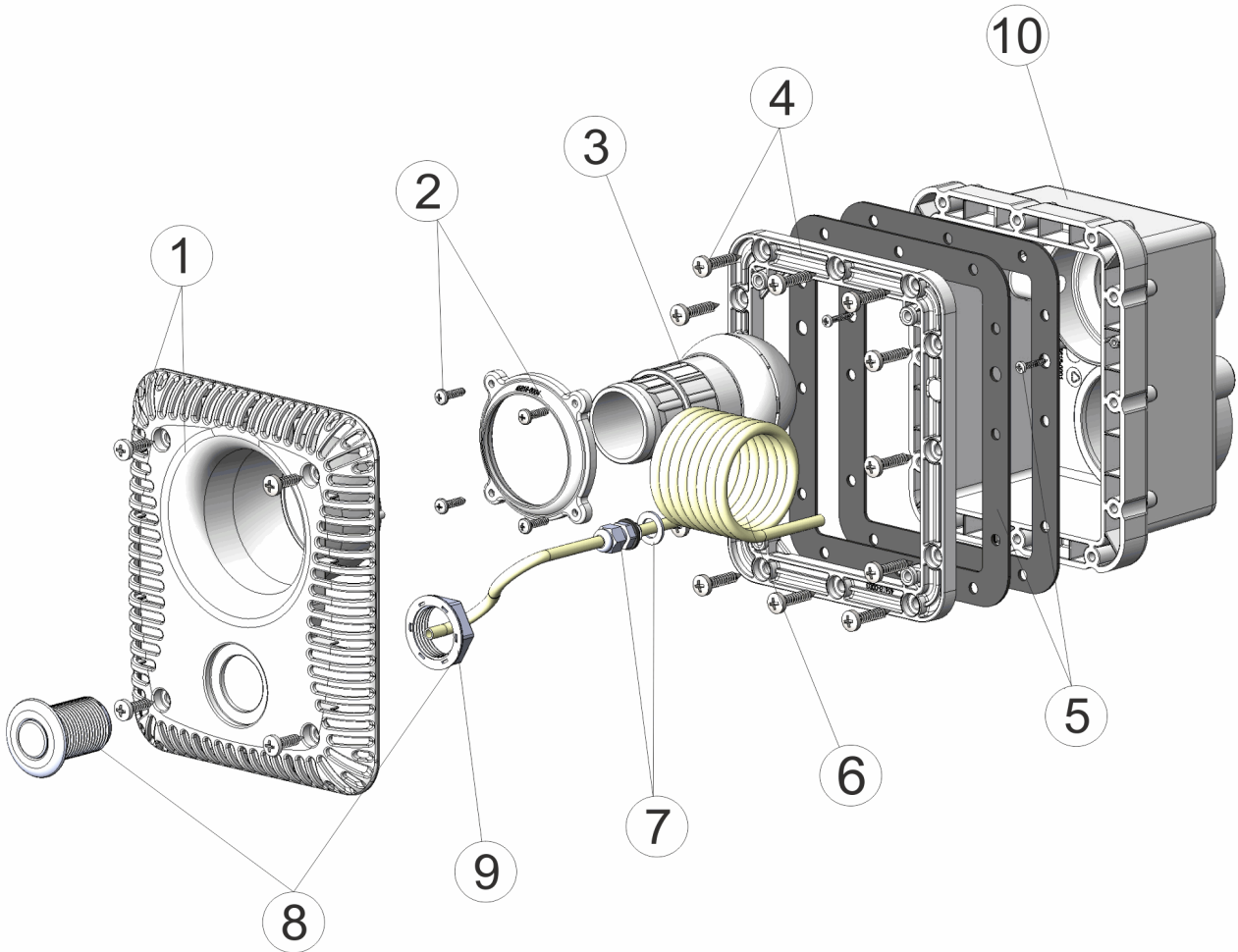


CODE **45618**

DESCRIPTION: **SQUARE COUNTERCURRENT**



ENGLISH

POS	CODE	DESCRIPTION	POS	CODE	DESCRIPTION
1	4402050000	SQUARE TRIM	6	4402050005	4X6X500 ULTRA VINYL TUBING
2	4402050001	PRESSURE CAP BALL	7	4402050006	CABLE GLAND M-12X1,5
3	4402050002	COUNTERCURRENT NOZZLE	8	4402050007	PNEUMATIC SWITCH UNIT
4	4402050003	SQUARE COUNTERCURRENT FLANGE	9	4402050008	"1" BSP PNEUMATIC SWITCH NUT"
5	4402050004	SQUARE ADHESIVE DRAIN SEAL	10	45618R0001	SQUARE COUNTERCURRENT NICHE